



STATEC BINDER

highly efficient bagging and palletizing solutions

principac

Fully automatic high-speed packaging machine



up to

2000

bags per hour

principac



- ✓ Fully automatic packaging machine
- ✓ Pillow and/or gusseted bags
- ✓ Compact design
- ✓ For all free flowing bulk products
- ✓ Tight filling spout for dusty products
- ✓ 10 - 50 kg filling weights
- ✓ CE certified
- ✓ High energy efficiency



The Task

A broad range of bulk goods, such as fertilisers, plastic granules, animal feed, sugar, salts, etc. are produced in large quantities and require appropriate packaging for their transport to traders and end consumers. The packaging sizes - units ranging from 10 to 50 kg - as well as the choice of the packaging material must be suited to the individual demand and handling methods.

The Solution

STATEC BINDER GmbH developed the Principac packaging plant for this task. Based on decades of experience in fully automated open-mouth packaging, the Principac stands for top quality require-

ments, productive capacity and complete reliability.

The maximum output of up to 2000 bags per hour reflects the high performance standards of the Principac packaging plants. Linear movements over short distances combined with large filling diameters enable the highest possible capacity and operation safety in a high production business.

The competency of STATEC BINDER is shown in the detail and overall.

The Technology

The bag separation system takes the upper bag from the magazine, transfers

it to the opening table in a fully centred and precise position. The slip-on unit passes the bag onto the filling clamp.

The filling process is triggered after the bag has been fixed onto the filling clamp. The entire circumference of the bag is pressed against the filling clamp, thus enabling dust-free filling. Displaced air is removed by means of integrated air ducts.

After filling, the bag is gently released and passed on to the transport system to be taken away. This system conveys the bag to the closing unit. Comprehensive control facilities guarantee trouble-free operation.



STATEC BINDER

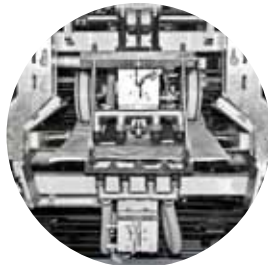
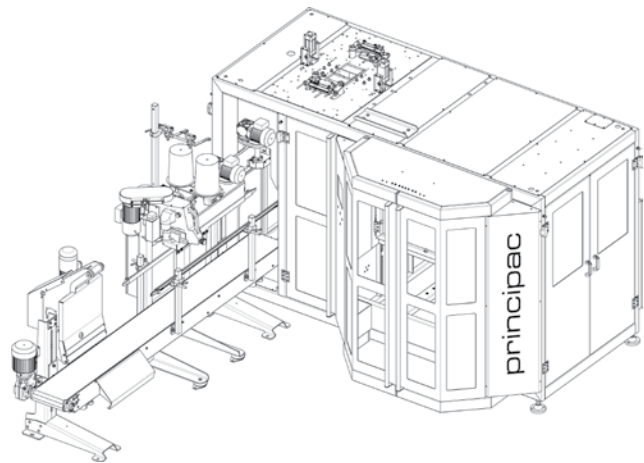
highly efficient bagging and palletizing solutions

principac

Fully automatic high-speed packaging machine



Pre-fabricated open mouth bags



Systems	principac
Design capacity:	up to 33 bags/min
Performance:	up to 2000 bags/h
Capacity of magazine:	magazines: up to 800 bags each / reels: up to 6000 bags each
Bag feeding system:	Bag magazines, System-R, PE-reel
Bag material:	Paper bags, PE-bags, PP-woven bags, laminated versions
Types of bags:	Gusseted bags and Pillow bags
Bag widths:	270 - 620mm
Bag lengths:	500 - 1050mm
Filling weights:	10 - 50kg
Air pressure:	6 bar, constant, dry and oil free
Air consumption:	max. 80 Nm ³ /h
Power consumption:	9 kW